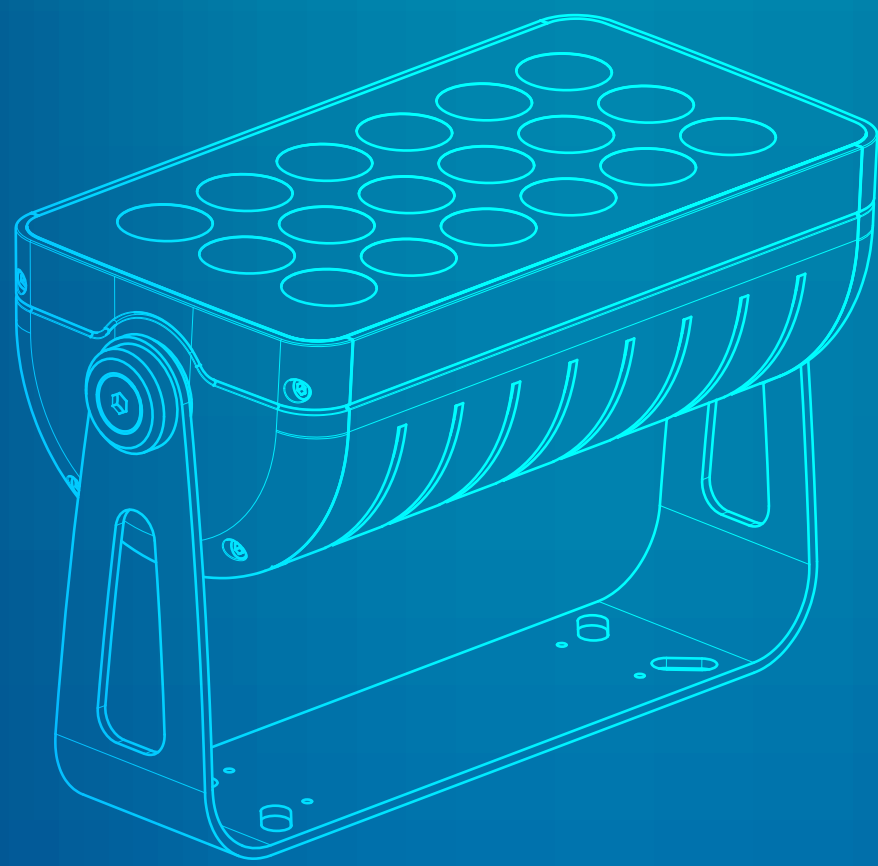


FLOOD LIGHT

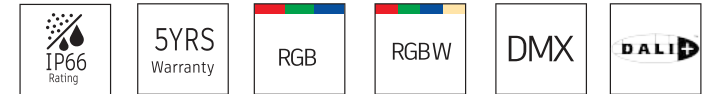
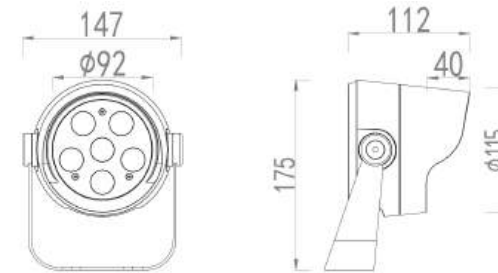


Al Ain University, Al Ain, UAE



Product Features

This powerful spotlight, ranging from 6 to 12 watts, is ideal for illuminating your building's exterior. Choose from mono color for a classic look, or personalize your facade with RGB or RGBW options. Additionally, Dali dimming allows for precise control over the light's intensity. For peace of mind, we offer a comprehensive 5-year replacement warranty.



PHYSICAL

Body	Die-Cast Aluminium
Dimensions	ø128xH175xT72mm
Finish	Powdear Coating
IP Rating	IP66

OPTICAL

Lamp	LED
Cover	Clear Tempered glass
Beam Angle	8°/10°/15°/45°/60°/80° / 10°30°/20°45°/15°65°/15°45°
Color Temp.	Mono Color, RGB, RGBW
LED Chip	CREE OSRAM
Lumen Output	+85lm / W
Color rendering i(Ra):	>82
Power factor (PF):	>0.9

ELECTRICAL

Power	6W 9W 12W
Controller	Switch Dali DMX
Input voltage	220V -240V (Mono Color) 24V / 48V (RGB, RGBW)
Lamp life	50,000 h
Ambient Temp.	-25° C ~ 50° C
Ambient Humidity	-25% ~ +60%
PCB	Excellent heat conductivity aluminum coefficient of heat conductivity ≥ 2.0w/mk
PCB Voltage protection	Reverse voltage protection
PCB Current Stabilization	Integrated current stabilization system

Ref.	Wattage	Voltage	Color Temp	Beam	Control
HD-S17C06	6W	110V - 240V (Integral)	Mono Color	3° / 5° / 8° /10°/15°/45°/60°/80° / 10°30°/20°45°/15°65°/15°45°	On/Off
HD-S17C12	12W	110V - 240V (Integral)	Mono Color	3° / 5° / 8° /10°/15°/45°/60°/80° / 10°30°/20°45°/15°65°/15°45°	On/Off
HD-S17C06R3	6W	24V	RGB	20°/30°/60°/80° / 15°45°	DMX
HD-S17C06R4	6W	24V	RGBW	20°/30°/60°/80° / 15°45°	DMX
HD-S17C12R3	12W	24V	RGB	20°/30°/60°/80° / 15°45°	DMX
HD-S17C12R4	12W	24V	RGBW	20°/30°/60°/80° / 15°45°	DMX

Surface Mount Spot Light: HD-S18C18S



Product Features

This powerful floodlight, ranging from 12 to 900 watts, is ideal for illuminating your building's exterior. Choose from mono color for a classic look, or personalize your facade with RGB or RGBW options. Additionally, Dali dimming allows for precise control over the light's intensity. For peace of mind, we offer a comprehensive 5-year replacement warranty.



PHYSICAL

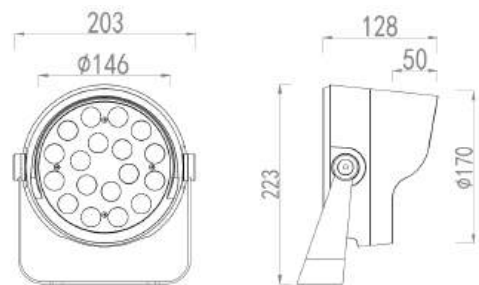
Body	Die-Cast Aluminium
Dimensions	ø185xH223xT128mm
Finish	Powdear Coating
IP Rating	IP66

OPTICAL

Lamp	LED
Cover	Clear Tempered glass
Beam Angle	8°/10°/15°/45°/60°/80° / 10°30°/20°45°/15°65°/15°45°
Color Temp.	Mono Color, RGB, RGBW
LED Chip	CREE OSRAM
Lumen Output	+85lm / W
Color rendering i(Ra):	>82
Power factor (PF):	>0.9

ELECTRICAL

Power	18W 36W 54W
Controller	Switch Dali DMX
Input voltage	220V -240V (Mono Color) 24V / 48V (RGB, RGBW)
Lamp life	50,000 h
Ambient Temp.	-25°C ~ 50°C
Ambient Humidity	-25% ~ +60%
PCB	Excellent heat conductivity aluminum coefficient of heat conductivity ≥ 2.0w/mk
PCB Voltage protection	Reverse voltage protection
PCB Current Stabilization	Integrated current stabilization system



Ref.	Wattage	Voltage	Color Temp	Beam	Control
HD-S18C18S	18W	110V - 240V (Integral)	Mono Color	3° / 5° / 8° / 10° / 15° / 45° / 60° / 80° / 10°30° / 20°45° / 15°65° / 15°45°	On/Off
HD-S18C36S	36W	110V - 240V (Integral)	Mono Color	3° / 5° / 8° / 10° / 15° / 45° / 60° / 80° / 10°30° / 20°45° / 15°65° / 15°45°	On/Off
HD-S18C36SR3	36W	24V	RGB	20° / 30° / 60° / 80° / 15°45°	DMX
HD-S18C36SR4	36W	24V	RGBW	20° / 30° / 60° / 80° / 15°45°	DMX
HD-S18C54SR3	54W	24V	RGB	20° / 30° / 60° / 80° / 15°45°	DMX
HD-S18C54SR4	54W	24V	RGBW	20° / 30° / 60° / 80° / 15°45°	DMX

Surface Mount Spot Light: HD-S17C06



Product Features

This powerful floodlight, ranging from 12 to 900 watts, is ideal for illuminating your building's exterior. Choose from mono color for a classic look, or personalize your facade with RGB or RGBW options. Additionally, Dali dimming allows for precise control over the light's intensity. For peace of mind, we offer a comprehensive 5-year replacement warranty.



PHYSICAL

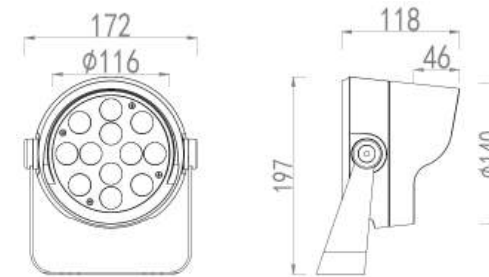
Body	Die-Cast Aluminium
Dimensions	ø153xH197xT118mm
Finish	Powdear Coating
IP Rating	IP66

OPTICAL

Lamp	LED
Cover	Clear Tempered glass
Beam Angle	8°/10°/15°/45°/60°/80° / 10°30°/20°45°/15°65°/15°45°
Color Temp.	Mono Color, RGB, RGBW
LED Chip	CREE OSRAM
Lumen Output	+85lm / W
Color rendering i(Ra):	>82
Power factor (PF):	>0.9

ELECTRICAL

Power	12W 24W 36W
Controller	Switch Dali DMX
Input voltage	220V -240V (Mono Color) 24V / 48V (RGB, RGBW)
Lamp life	50,000 h
Ambient Temp.	-25°C ~ 50°C
Ambient Humidity	-25% ~ +60%
PCB	Excellent heat conductivity aluminum coefficient of heat conductivity ≥ 2.0w/mk
PCB Voltage protection	Reverse voltage protection
PCB Current Stabilization	Integrated current stabilization system



Ref.	Wattage	Voltage	Color Temp	Beam	Control
HD-S17C12S	12W	110V - 240V (Integral)	Mono Color	3° / 5° / 8° / 10° / 15° / 45° / 60° / 80° / 10°30° / 20°45° / 15°65° / 15°45°	On/Off
HD-S17C24S	24W	110V - 240V (Integral)	Mono Color	3° / 5° / 8° / 10° / 15° / 45° / 60° / 80° / 10°30° / 20°45° / 15°65° / 15°45°	On/Off
HD-S17C24SR3	24W	24V	RGB	20° / 30° / 60° / 80° / 15°45°	DMX
HD-S17C24SR4	24W	24V	RGBW	20° / 30° / 60° / 80° / 15°45°	DMX
HD-S17C36SR3	36W	24V	RGB	20° / 30° / 60° / 80° / 15°45°	DMX
HD-S17C36SR4	36W	24V	RGBW	20° / 30° / 60° / 80° / 15°45°	DMX

Surface Mount Spot Light: HD-S19C36



Product Features

This powerful floodlight, ranging from 12 to 900 watts, is ideal for illuminating your building's exterior. Choose from mono color for a classic look, or personalize your facade with RGB or RGBW options. Additionally, Dali dimming allows for precise control over the light's intensity. For peace of mind, we offer a comprehensive 5-year replacement warranty.



PHYSICAL

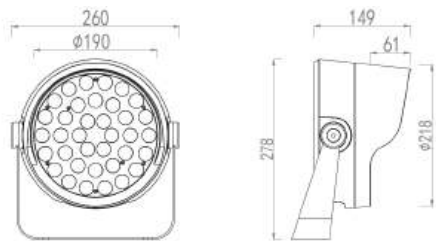
Body	Die-Cast Aluminium
Dimensions	ø235xH278xT88mm
Finish	Powder Coating
IP Rating	IP66

OPTICAL

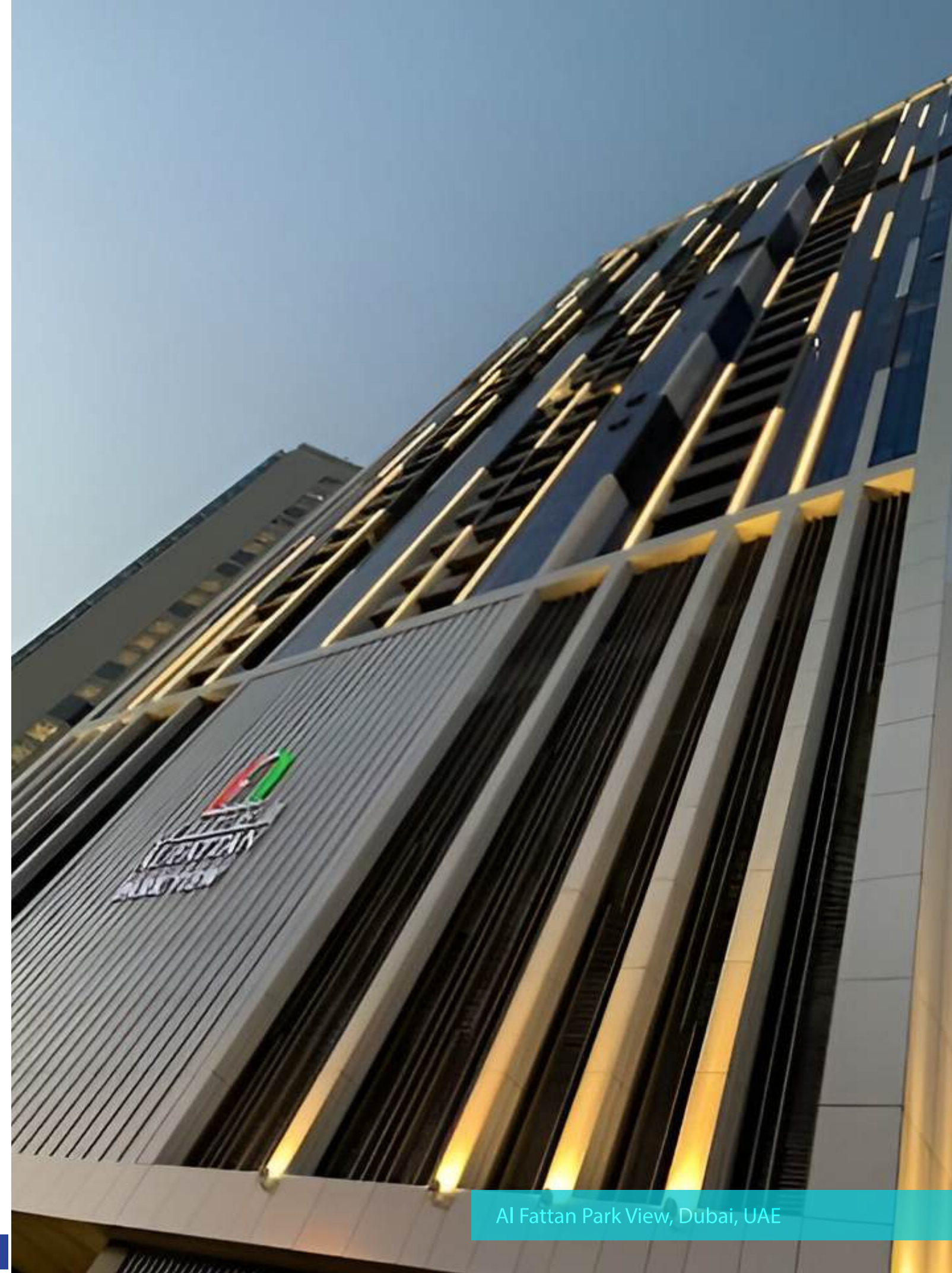
Lamp	LED
Cover	Clear Tempered glass
Beam Angle	8°/10°/15°/45°/60°/80° / 10°/30°/20°/45°/15°/65°/15°/45°
Color Temp.	Mono Color, RGB, RGBW
LED Chip	CREE OSRAM
Lumen Output	+85lm / W
Color rendering i(Ra):	>82
Power factor (PF):	>0.9

ELECTRICAL

Power	36W 54W 108W
Controller	Switch Dali DMX
Input voltage	220V -240V (Mono Color) 24V / 48V (RGB, RGBW)
Lamp life	50,000 h
Ambient Temp.	-25° C ~ 50° C
Ambient Humidity	-25% ~ +60%
PCB	Excellent heat conductivity aluminum coefficient of heat conductivity ≥ 2.0w/mk
PCB Voltage protection	Reverse voltage protection
PCB Current Stabilization	Integrated current stabilization system



Ref.	Wattage	Voltage	Color Temp	Beam	Control
HD-S19C36	36W	110V - 240V (Integral)	Mono Color	3° / 5° / 8° / 10° / 15° / 45° / 60° / 80° / 10°/30°/20°/45°/15°/65°/15°/45°	On/Off
HD-S19C54	54W	110V - 240V (Integral)	Mono Color	3° / 5° / 8° / 10° / 15° / 45° / 60° / 80° / 10°/30°/20°/45°/15°/65°/15°/45°	On/Off
HD-S19C72R3	72W	24V	RGB	20° / 30° / 60° / 80° / 15°/45°	DMX
HD-S19C72R4	72W	24V	RGBW	20° / 30° / 60° / 80° / 15°/45°	DMX
HD-S19C108R3	108W	24V	RGB	20° / 30° / 60° / 80° / 15°/45°	DMX
HD-S19C108R4	108W	24V	RGBW	20° / 30° / 60° / 80° / 15°/45°	DMX



Al Fattan Park View, Dubai, UAE

Surface Mount Floodlight: HD-S20N100



Product Features

This powerful floodlight, ranging from 100 to 900 watts, is ideal for illuminating your building's exterior. Choose from mono color for a classic look, or personalize your facade with RGB or RGBW options. Additionally, Dali dimming allows for precise control over the light's intensity. For peace of mind, we offer a comprehensive 5-year replacement warranty.



PHYSICAL

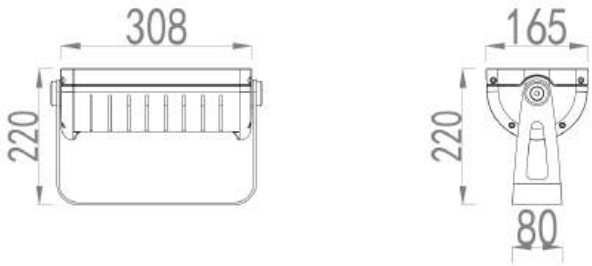
Body	Die-Cast Aluminium
Dimensions	W165*H220*L342mm
Finish	Powdear Coating
IP Rating	IP67

OPTICAL

Lamp	LED
Cover	Clear Tempered glass
Beam Angle	8°/10°/15°/45°/60°/80° / 10°30°/20°45°/15°65°/15°45°
Color Temp.	Mono Color, RGB, RGBW
LED Chip	CREE OSRAM
Lumen Output	+85lm / W
Color rendering i(Ra):	>82
Power factor (PF):	>0.9

ELECTRICAL

Power	100W
Controller	Switch Dali DMX
Input voltage	100V -240V
Lamp life	50,000 h
Ambient Temp.	-25°C ~ 50°C
Ambient Humidity	-25% ~ +60%
PCB	Excellent heat conductivity aluminum coefficient of heat conductivity ≥ 2.0w/mk
PCB Voltage protection	Reverse voltage protection
PCB Current Stabilization	Integrated current stabilization system



Ref.	Wattage	Voltage	Color Temp	Beam	Control
HD-S20N100	100W	110V - 240V (Integral)	Mono Color	3° / 5° / 8° / 10° / 15° / 45° / 60° / 80° / 10°30° / 20°45° / 15°65° / 15°45°	On/Off
HD-S20N100R3	100W	110V - 240V (Integral)	RGB	20° / 30° / 60° / 80° / 15°45°	DMX
HD-S20N100R4	100W	110V - 240V (Integral)	RGBW	20° / 30° / 60° / 80° / 15°45°	DMX

Surface Mount Floodlight: HD-S20N150



Product Features

This powerful floodlight, ranging from 100 to 900 watts, is ideal for illuminating your building's exterior. Choose from mono color for a classic look, or personalize your facade with RGB or RGBW options. Additionally, Dali dimming allows for precise control over the light's intensity. For peace of mind, we offer a comprehensive 5-year replacement warranty.



PHYSICAL

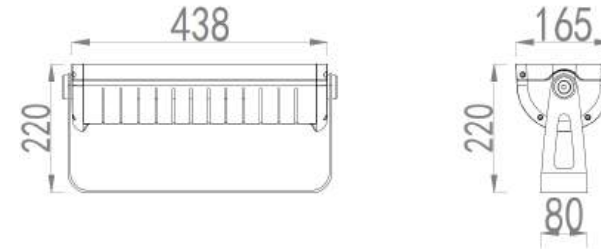
Body	Die-Cast Aluminium
Dimensions	W165*H220*L472mm
Finish	Powdear Coating
IP Rating	IP67

OPTICAL

Lamp	LED
Cover	Clear Tempered glass
Beam Angle	8°/10°/15°/45°/60°/80° / 10°30°/20°45°/15°65°/15°45°
Color Temp.	Mono Color, RGB, RGBW
LED Chip	CREE OSRAM
Lumen Output	+85lm / W
Color rendering i(Ra):	>82
Power factor (PF):	>0.9

ELECTRICAL

Power	150W
Controller	Switch Dali DMX
Input voltage	100V -240V
Lamp life	50,000 h
Ambient Temp.	-25°C ~ 50°C
Ambient Humidity	-25% ~ +60%
PCB	Excellent heat conductivity aluminum coefficient of heat conductivity ≥ 2.0w/mk
PCB Voltage protection	Reverse voltage protection
PCB Current Stabilization	Integrated current stabilization system



Ref.	Wattage	Voltage	Color Temp	Beam	Control
HD-S20N150	150W	110V - 240V (Integral)	Mono Color	3° / 5° / 8° / 10° / 15° / 45° / 60° / 80° / 10°30° / 20°45° / 15°65° / 15°45°	On/Off
HD-S20N150R3	150W	110V - 240V (Integral)	RGB	20° / 30° / 60° / 80° / 15°45°	DMX
HD-S20N150R4	150W	110V - 240V (Integral)	RGBW	20° / 30° / 60° / 80° / 15°45°	DMX

Surface Mount Floodlight: HD-S22N150



Product Features

This powerful floodlight, ranging from 100 to 900 watts, is ideal for illuminating your building's exterior. Choose from mono color for a classic look, or personalize your facade with RGB or RGBW options. Additionally, Dali dimming allows for precise control over the light's intensity. For peace of mind, we offer a comprehensive 5-year replacement warranty.



PHYSICAL

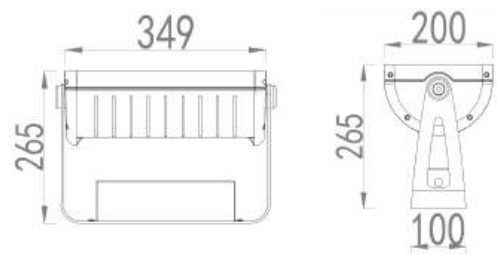
Body	Die-Cast Aluminium
Dimensions	W200*H265*L349m
Finish	Powdear Coating
IP Rating	IP67

OPTICAL

Lamp	LED
Cover	Clear Tempered glass
Beam Angle	8°/10°/15°/45°/60°/80° / 10°30°/20°45°/15°65°/15°45°
Color Temp.	Mono Color, RGB, RGBW
LED Chip	CREE OSRAM
Lumen Output	+85lm / W
Color rendering i(Ra):	>82
Power factor (PF):	>0.9

ELECTRICAL

Power	150W
Controller	Switch Dali DMX
Input voltage	100V -240V
Lamp life	50,000 h
Ambient Temp.	-25°C ~ 50°C
Ambient Humidity	-25% ~ +60%
PCB	Excellent heat conductivity aluminum coefficient of heat conductivity ≥ 2.0w/mk
PCB Voltage protection	Reverse voltage protection
PCB Current Stabilization	Integrated current stabilization system



Ref.	Wattage	Voltage	Color Temp	Beam	Control
HD-S22N150	150W	110V - 240V (Integral)	Mono Color	3° / 5° / 8° / 10° / 15° / 45° / 60° / 80° / 10°30° / 20°45° / 15°65° / 15°45°	On/Off
HD-S22N150R3	150W	110V - 240V (Integral)	RGB	20° / 30° / 60° / 80° / 15°45°	DMX
HD-S22N150R4	150W	110V - 240V (Integral)	RGBW	20° / 30° / 60° / 80° / 15°45°	DMX

Surface Mount Floodlight: HD-S22N200



Product Features

This powerful floodlight, ranging from 100 to 900 watts, is ideal for illuminating your building's exterior. Choose from mono color for a classic look, or personalize your facade with RGB or RGBW options. Additionally, Dali dimming allows for precise control over the light's intensity. For peace of mind, we offer a comprehensive 5-year replacement warranty.



PHYSICAL

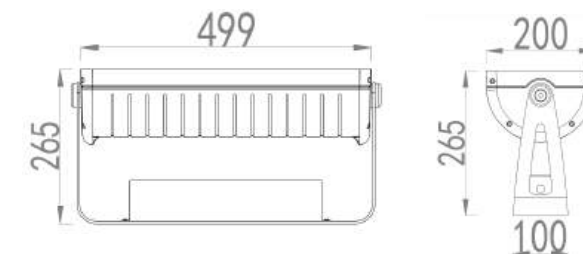
Body	Die-Cast Aluminium
Dimensions	W200*H265*L499m
Finish	Powdear Coating
IP Rating	IP67

OPTICAL

Lamp	LED
Cover	Clear Tempered glass
Beam Angle	8°/10°/15°/45°/60°/80° / 10°30°/20°45°/15°65°/15°45°
Color Temp.	Mono Color, RGB, RGBW
LED Chip	CREE OSRAM
Lumen Output	+85lm / W
Color rendering i(Ra):	>82
Power factor (PF):	>0.9

ELECTRICAL

Power	200W
Controller	Switch Dali DMX
Input voltage	100V -240V
Lamp life	50,000 h
Ambient Temp.	-25°C ~ 50°C
Ambient Humidity	-25% ~ +60%
PCB	Excellent heat conductivity aluminum coefficient of heat conductivity ≥ 2.0w/mk
PCB Voltage protection	Reverse voltage protection
PCB Current Stabilization	Integrated current stabilization system



Ref.	Wattage	Voltage	Color Temp	Beam	Control
HD-S22N200	200W	110V - 240V (Integral)	Mono Color	3° / 5° / 8° / 10° / 15° / 45° / 60° / 80° / 10°30° / 20°45° / 15°65° / 15°45°	On/Off
HD-S22N200R3	200W	110V - 240V (Integral)	RGB	20° / 30° / 60° / 80° / 15°45°	DMX
HD-S22N200R4	200W	110V - 240V (Integral)	RGBW	20° / 30° / 60° / 80° / 15°45°	DMX



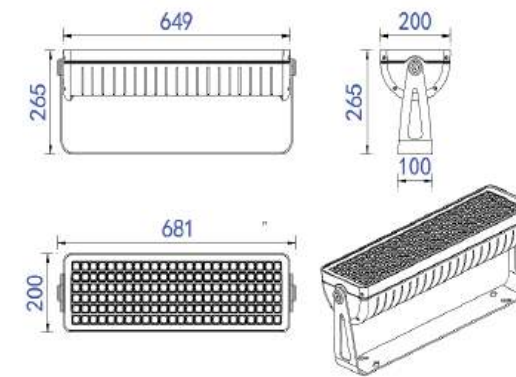
Senapangan, Dhaka, Bangladesh

Surface Mount Floodlight: HD-S23N300



Product Features

This powerful floodlight, ranging from 100 to 900 watts, is ideal for illuminating your building's exterior. Choose from mono color for a classic look, or personalize your facade with RGB or RGBW options. Additionally, Dali dimming allows for precise control over the light's intensity. For peace of mind, we offer a comprehensive 5-year replacement warranty.



PHYSICAL

Body	Die-Cast Aluminium
Dimensions	W200*H265*L649m
Finish	Powdear Coating
IP Rating	IP67

OPTICAL

Lamp	LED
Cover	Clear Tempered glass
Beam Angle	8°/10°/15°/45°/60°/80° / 10°30°/20°45°/15°65°/15°45°
Color Temp.	Mono Color, RGB, RGBW
LED Chip	CREE OSRAM
Lumen Output	+85lm / W
Color rendering i(Ra):	>82
Power factor (PF):	>0.9

ELECTRICAL

Power	300W
Controller	Switch Dali DMX
Input voltage	100V -240V
Lamp life	50,000 h
Ambient Temp.	-25°C ~ 50°C
Ambient Humidity	-25% ~ +60%
PCB	Excellent heat conductivity aluminum coefficient of heat conductivity ≥ 2.0w/mk
PCB Voltage protection	Reverse voltage protection
PCB Current Stabilization	Integrated current stabilization system

Ref.	Wattage	Voltage	Color Temp	Beam	Control
HD-S23N300	300W	110V - 240V (Integral)	Mono Color	3° / 5° / 8° / 10° / 15° / 45° / 60° / 80° / 10°30° / 20°45° / 15°65° / 15°45°	On/Off
HD-S23N300R3	300W	110V - 240V (Integral)	RGB	20° / 30° / 60° / 80° / 15°45°	DMX
HD-S23N300R4	300W	110V - 240V (Integral)	RGBW	20° / 30° / 60° / 80° / 15°45°	DMX

Surface Mount Floodlight: HD-S23N400



Product Features

This powerful floodlight, ranging from 100 to 900 watts, is ideal for illuminating your building's exterior. Choose from mono color for a classic look, or personalize your facade with RGB or RGBW options. Additionally, Dali dimming allows for precise control over the light's intensity. For peace of mind, we offer a comprehensive 5-year replacement warranty.



PHYSICAL

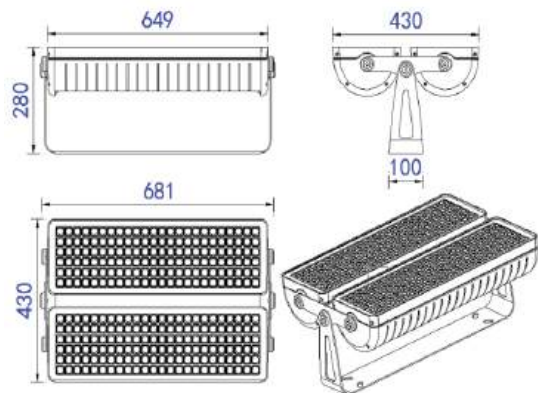
Body	Die-Cast Aluminium
Dimensions	W430*H280*L649m
Finish	Powdear Coating
IP Rating	IP67

OPTICAL

Lamp	LED
Cover	Clear Tempered glass
Beam Angle	8°/10°/15°/45°/60°/80° / 10°30°/20°45°/15°65°/15°45°
Color Temp.	Mono Color, RGB, RGBW
LED Chip	CREE OSRAM
Lumen Output	+85lm / W
Color rendering i(Ra):	>82
Power factor (PF):	>0.9

ELECTRICAL

Power	400W
Controller	Switch Dali DMX
Input voltage	100V -240V
Lamp life	50,000 h
Ambient Temp.	-25° C ~ 50° C
Ambient Humidity	-25% ~ +60%
PCB	Excellent heat conductivity aluminum coefficient of heat conductivity ≥ 2.0w/mk
PCB Voltage protection	Reverse voltage protection
PCB Current Stabilization	Integrated current stabilization system



Ref.	Wattage	Voltage	Color Temp	Beam	Control
HD-S23N600	600W	110V - 240V (Integral)	Mono Color	3° / 5° / 8° / 10° / 15° / 45° / 60° / 80° / 10°30° / 20°45° / 15°65° / 15°45°	On/Off
HD-S23N600R3	600W	110V - 240V (Integral)	RGB	20° / 30° / 60° / 80° / 15°45°	DMX
HD-S23N600R4	600W	110V - 240V (Integral)	RGBW	20° / 30° / 60° / 80° / 15°45°	DMX

Surface Mount Floodlight: HD-S21N600



Product Features

This powerful floodlight, ranging from 100 to 900 watts, is ideal for illuminating your building's exterior. Choose from mono color for a classic look, or personalize your facade with RGB or RGBW options. Additionally, Dali dimming allows for precise control over the light's intensity. For peace of mind, we offer a comprehensive 5-year replacement warranty.



PHYSICAL

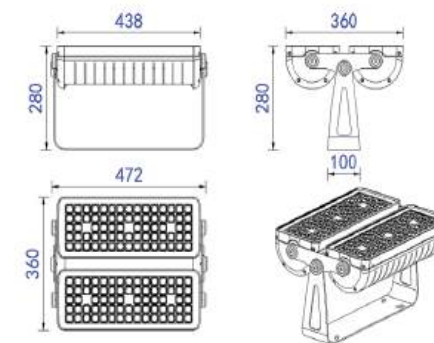
Body	Die-Cast Aluminium
Dimensions	W360*H280*L438mm
Finish	Powdear Coating
IP Rating	IP67

OPTICAL

Lamp	LED
Cover	Clear Tempered glass
Beam Angle	8°/10°/15°/45°/60°/80° / 10°30°/20°45°/15°65°/15°45°
Color Temp.	Mono Color, RGB, RGBW
LED Chip	CREE OSRAM
Lumen Output	+85lm / W
Color rendering i(Ra):	>82
Power factor (PF):	>0.9

ELECTRICAL

Power	600W
Controller	Switch Dali DMX
Input voltage	100V -240V
Lamp life	50,000 h
Ambient Temp.	-25° C ~ 50° C
Ambient Humidity	-25% ~ +60%
PCB	Excellent heat conductivity aluminum coefficient of heat conductivity ≥ 2.0w/mk
PCB Voltage protection	Reverse voltage protection
PCB Current Stabilization	Integrated current stabilization system



Ref.	Wattage	Voltage	Color Temp	Beam	Control
HD-S21N300	300W	110V - 240V (Integral)	Mono Color	3° / 5° / 8° / 10° / 15° / 45° / 60° / 80° / 10°30° / 20°45° / 15°65° / 15°45°	On/Off
HD-S21N300R3	300W	110V - 240V (Integral)	RGB	20° / 30° / 60° / 80° / 15°45°	DMX
HD-S21N300R4	300W	110V - 240V (Integral)	RGBW	20° / 30° / 60° / 80° / 15°45°	DMX

Surface Mount Floodlight: HD-S23N900



Product Features

This powerful floodlight, ranging from 100 to 900 watts, is ideal for illuminating your building's exterior. Choose from mono color for a classic look, or personalize your facade with RGB or RGBW options. Additionally, Dali dimming allows for precise control over the light's intensity. For peace of mind, we offer a comprehensive 5-year replacement warranty.



PHYSICAL

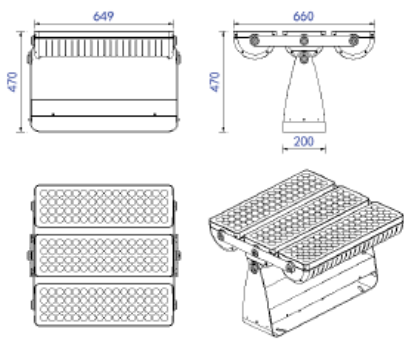
Body	Die-Cast Aluminium
Dimensions	W660*H470*L712m
Finish	Powder Coating
IP Rating	IP67

OPTICAL

Lamp	LED
Cover	Clear Tempered glass
Beam Angle	8° / 10° / 15° / 45° / 60° / 80° / 10°*30° / 20°*45° / 15°*65° / 15°*45°
Color Temp.	Mono Color, RGB, RGBW
LED Chip	CREE OSRAM
Lumen Output	+85lm / W
Color rendering i(Ra):	>82
Power factor (PF):	>0.9

ELECTRICAL

Power	900W
Controller	Switch Dali DMX
Input voltage	100V -240V
Lamp life	50,000 h
Ambient Temp.	-25° C ~ 50° C
Ambient Humidity	-25% ~ +60%
PCB	Excellent heat conductivity aluminum coefficient of heat conductivity ≥ 2.0w/mk
PCB Voltage protection	Reverse voltage protection
PCB Current Stabilization	Integrated current stabilization system



Ref.	Wattage	Voltage	Color Temp	Beam	Control
HD-S23N600	900W	110V - 240V (Integral)	Mono Color	3° / 5° / 8° / 10° / 15° / 45° / 60° / 80° / 10°*30° / 20°*45° / 15°*65° / 15°*45°	On/Off
HD-S23N600R3	900W	110V - 240V (Integral)	RGB	20° / 30° / 60° / 80° / 15°*45°	DMX
HD-S23N600R4	900W	110V - 240V (Integral)	RGBW	20° / 30° / 60° / 80° / 15°*45°	DMX



Karanafuly, Dhaka, Bangladesh