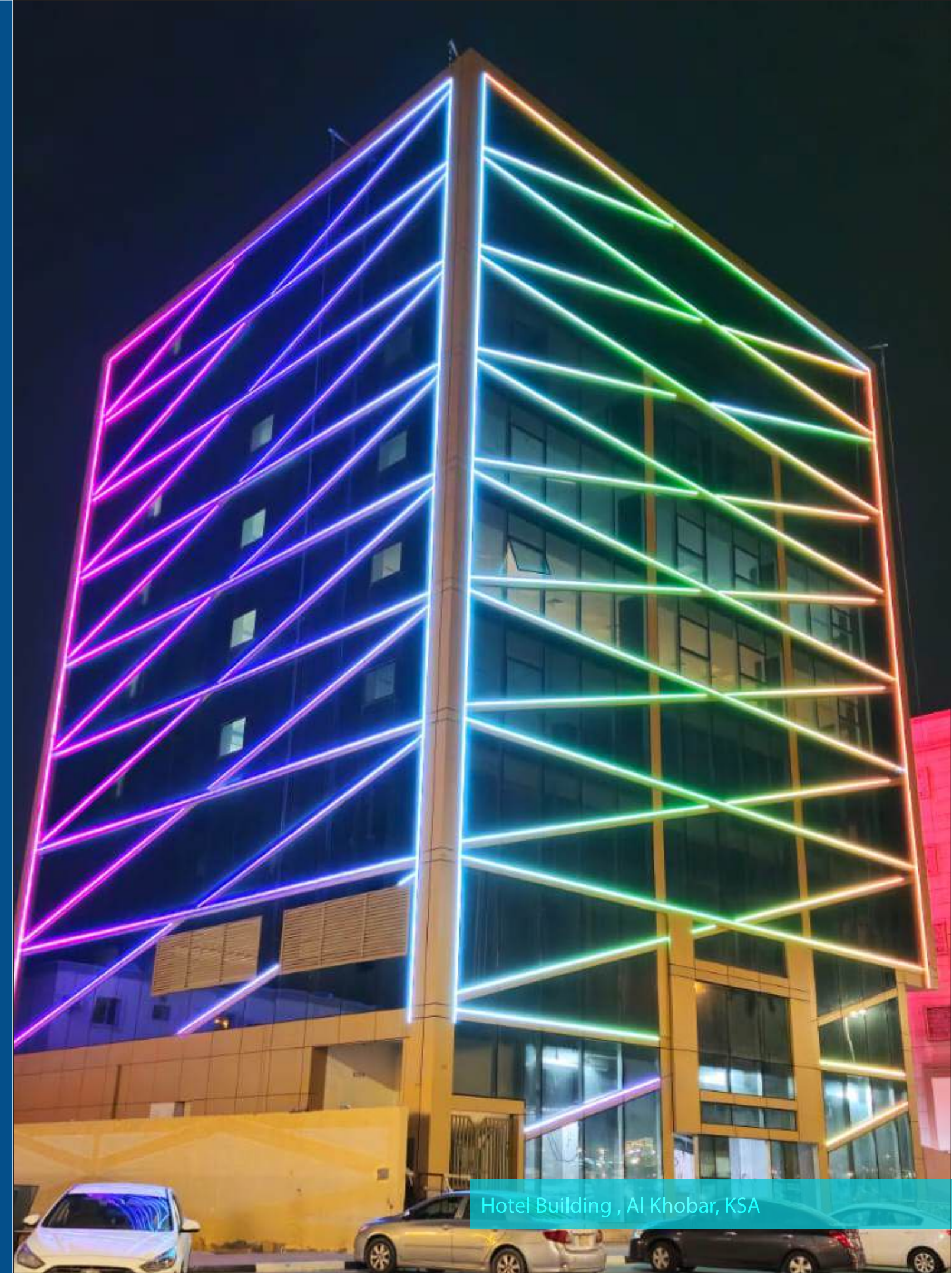


DYNAMIC LINEAR



Hotel Building , Al Khobar, KSA

Linear RGB Series: HD-L04060YY



Product Features

- No Shadow Gap in joint.
- Various customization options including fixture length, color, and pixel configuration
- Direct or diffused views
- Slim profile
- Flexible mounting capability
- Outdoor-rated and UV-resistant
- Simple cabling
- Auto-addressable pixels



PHYSICAL

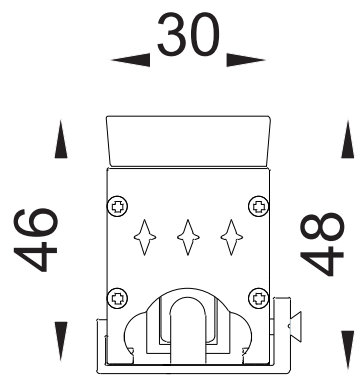
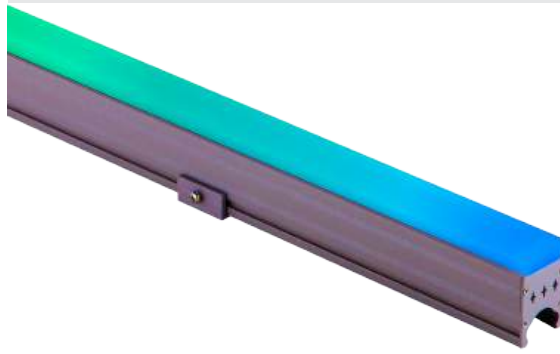
Body	Extruded Aluminium
Dimensions	L990mmxW30mmxH46mm
Finish	Powder Coating
IP Rating	IP66

OPTICAL

Lamp	LED
Cover	10mm Solid PC
Beam Angle	180°
Color Temp.	Mono Color, RGB, RGBW
LED Chip	Lumileds Philips
Color rendering i(Ra):	>82
Power factor (PF):	>0.9

ELECTRICAL

Power	13W
Controller	Switch Dali DMX
Input voltage	24V / 48V
Lamp life	50,000 h
Ambient Temp.	-25°C ~ 50°C
Ambient Humidity	-25% ~ +60%
PCB	Excellent heat conductivity aluminum coefficient of heat conductivity ≥ 2.0w/mk
PCB Voltage protection	Reverse voltage protection
PCB Current Stabilization	Integrated current stabilization system



Ref.	Wattage	Voltage	Color Temp	Pixel/M	Control
HD-L04060	13W	24V 48V	Mono Color	/	On/Off
HD-L04072	16W	24V 48V	Mono Color	/	On/Off
HD-L04048R	12W	24V 48V	RGB	8	DMX / SPI
HD-L04048RW	14W	24V 48V	RGBW	8	DMX / SPI
HD-L04048W2R	12W	24V 48V	RGB	16	DMX / SPI
HD-L04048W3RW	14W	24V 48V	RGBW	16	DMX / SPI
HD-L04048W4R	13W	24V 48V	RGB	40	DMX / SPI
HD-L04048W5RW	15W	24V 48V	RGBW	40	DMX / SPI

Linear RGB Series: HD-L17048YY



Product Features

- Slim profile.
- Simple cabling.
- No Shadow Gap in joint.
- Direct views.
- Flexible mounting capability.
- Outdoor-rated and UV-resistant.
- Various customization options including fixture length, color, and pixel configuration.
- Simple mounting support is applicable to the more extensive installation environment.



PHYSICAL

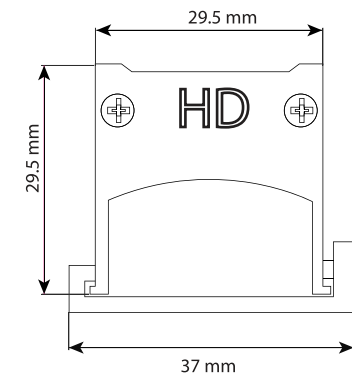
Body	Extruded Aluminium
Dimensions	L990mmxW29.5mmxH29.5mm
Finish	Powder Coating
IP Rating	IP66

OPTICAL

Lamp	LED
Cover	PMMA Lens
Beam Angle	120°
Color Temp.	Mono Color, RGB, RGBW
LED Chip	Lumileds Philips
Color rendering i(Ra):	>82
Power factor (PF):	>0.9

ELECTRICAL

Power	13W
Controller	Switch Dali DMX
Input voltage	24V / 48V
Lamp life	50,000 h
Ambient Temp.	-25°C ~ 50°C
Ambient Humidity	-25% ~ +60%
PCB	Excellent heat conductivity aluminum coefficient of heat conductivity ≥ 2.0w/mk
PCB Voltage protection	Reverse voltage protection
PCB Current Stabilization	Integrated current stabilization system



Ref.	Wattage	Voltage	Color Temp	Pixel/M	Control
HD-L17048	13W	24V 48V	Mono Color	/	On/Off
HD-L17048R	12W	24V 48V	RGB	8	DMX / SPI
HD-L17048RW	14W	24V 48V	RGBW	8	DMX / SPI
HD-L17048W2R	12W	24V 48V	RGB	16	DMX / SPI
HD-L17048W3RW	14W	24V 48V	RGBW	16	DMX / SPI
HD-L17048W4R	13W	24V 48V	RGB	40	DMX / SPI
HD-L17048W5RW	15W	24V 48V	RGBW	40	DMX / SPI



City Premiere Marina Hote Apt. , Dubai. UAE

Linear RGB Series: HD-L03048YY



Product Features

- No Shadow Gap in joint.
- Various customization options including fixture length, color, and pixel configuration
- Direct or diffused views
- Slim profile
- Flexible mounting capability
- Outdoor-rated and UV-resistant
- Simple cabling
- Auto-addressable pixels



PHYSICAL

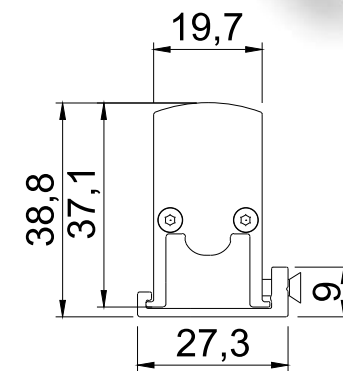
Body	Extruded Aluminium
Dimensions	W20*H37*L1000mm
Finish	Powdear Coating
IP Rating	IP66

OPTICAL

Lamp	LED
Cover	Frosted PC
Beam Angle	120° 180°
Color Temp.	Mono Color, RGB, RGBW
LED Chip	Lumileds Philips
Color rendering i(Ra):	>82
Power factor (PF):	>0.9

ELECTRICAL

Power	13W
Controller	Switch Dali DMX
Input voltage	24V
Lamp life	50,000 h
Ambient Temp.	-25°C ~ 50°C
Ambient Humidity	-25% ~ +60%
PCB	Excellent heat conductivity aluminum coefficient of heat conductivity ≥ 2.0w/mk
PCB Voltage protection	Reverse voltage protection
PCB Current Stabilization	Integrated current stabilization system



Ref.	Wattage	Voltage	Color Temp	Pixel/M	Control
HD-L04060	12W	24V	Mono Color	/	On/Off
HD-L03048R	10W	24V	RGB	8	DMX / SPI
HD-L03048RW	13W	24V	RGBW	8	DMX / SPI
HD-L03048W2R	13W	24V	RGB	16	DMX / SPI
HD-L03048W3RW	15W	24V	RGBW	16	DMX / SPI
HD-L03048W4R	13W	24V	RGB	40	DMX / SPI
HD-L03048W5RW	15W	24V	RGBW	40	DMX / SPI

Product Features

- No Shadow Gap in joint.
- Various customization options including fixture length, color, and pixel configuration
- Direct views
- Slim profile
- Flexible mounting capability
- Outdoor-rated and UV-resistant
- Simple cabling
- Auto-addressable pixels



PHYSICAL

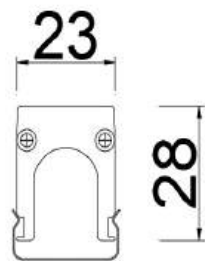
Body	Extruded Aluminium
Dimensions	W23*H28*L1000mm
Finish	Powdear Coating
IP Rating	IP66

OPTICAL

Lamp	LED
Cover	PMMA Lens
Beam Angle	120°
Color Temp.	Mono Color, RGB, RGBW
LED Chip	Lumileds Philips
Color rendering i(Ra):	>82
Power factor (PF):	>0.9

ELECTRICAL

Power	13W
Controller	Switch Dali DMX
Input voltage	24V
Lamp life	50,000 h
Ambient Temp.	-25° C ~ 50° C
Ambient Humidity	-25% ~ +60%
PCB	Excellent heat conductivity aluminum coefficient of heat conductivity ≥ 2.0w/mk
PCB Voltage protection	Reverse voltage protection
PCB Current Stabilization	Integrated current stabilization system



Ref.	Wattage	Voltage	Color Temp	Pixel/M	Control
HD-L12060	12W	24V	Mono Color	/	On/Off
HD-L12048R	10W	24V	RGB	8	DMX / SPI
HHD-L12048RW	13W	24V	RGBW	8	DMX / SPI
HD-L12048W2R	13W	24V	RGB	16	DMX / SPI
HD-L12048W3RW	15W	24V	RGBW	16	DMX / SPI
HD-L12048W4R	13W	24V	RGB	40	DMX / SPI
HD-L12048W5RW	15W	24V	RGBW	40	DMX / SPI



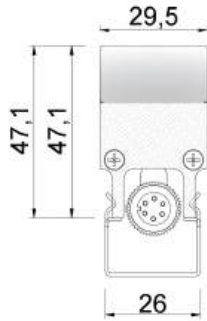
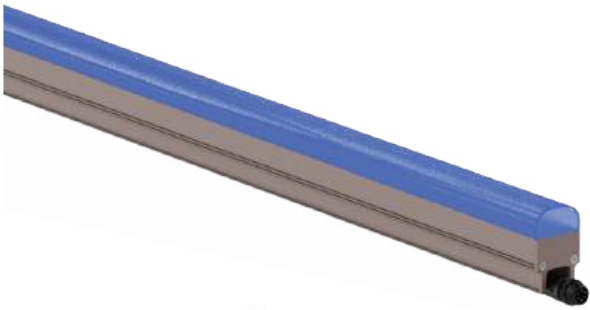
Danube, Jeddah, KSA



Al Fattan Park View, Dubai, UAE

Product Features

- No Shadow Gap in joint.
- Various customization options including fixture length, color, and pixel configuration
- Direct or diffused views
- Slim profile
- Flexible mounting capability
- Outdoor-rated and UV-resistant
- Simple cabling
- Auto-addressable pixels



PHYSICAL

Body	Extruded Aluminium
Dimensions	W30*H48*L1000mm
Finish	Powdear Coating
IP Rating	IP66

OPTICAL

Lamp	LED
Cover	Frosted PC
Beam Angle	180°
Color Temp.	Mono Color, RGB, RGBW
LED Chip	Lumileds Philips
Color rendering i(Ra):	>82
Power factor (PF):	>0.9

ELECTRICAL

Power	13W
Controller	Switch Dali DMX
Input voltage	24V
Lamp life	50,000 h
Ambient Temp.	-25° C ~ 50° C
Ambient Humidity	-25% ~ +60%
PCB	Excellent heat conductivity aluminum coefficient of heat conductivity ≥ 2.0w/mk
PCB Voltage protection	Reverse voltage protection
PCB Current Stabilization	Integrated current stabilization system

Ref.	Wattage	Voltage	Color Temp	Pixel/M	Control
HD-L11072	12W	24V 48V	Mono Color	/	On/Off
HD-L11048R	10W	24V 48V	RGB	8	DMX / SPI
HD-L11048RW	13W	24V 48V	RGBW	8	DMX / SPI
HD-L11048W2R	13W	24V 48V	RGB	16	DMX /SPI
HD-L11048W3RW	15W	24V 48V	RGBW	16	DMX / SPI
HD-L11048W4R	13W	24V 48V	RGB	40	DMX /SPI
HD-L11048W5RW	15W	24V 48V	RGBW	40	DMX / SPI

Product Features

- No Shadow Gap in joint.
- Various customization options including fixture length, color, and pixel configuration
- Direct or diffused views
- Slim profile
- Flexible mounting capability
- Outdoor-rated and UV-resistant
- Simple cabling
- Auto-addressable pixels



PHYSICAL

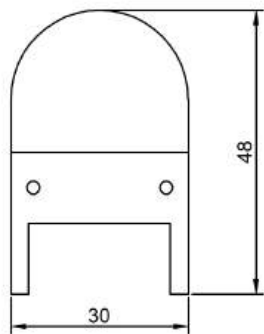
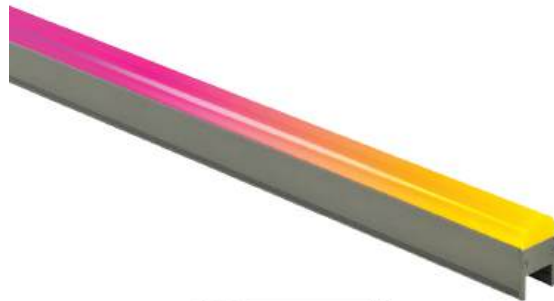
Body	Extruded Aluminium
Dimensions	W30*H48*L1000mm
Finish	Powdear Coating
IP Rating	IP66

OPTICAL

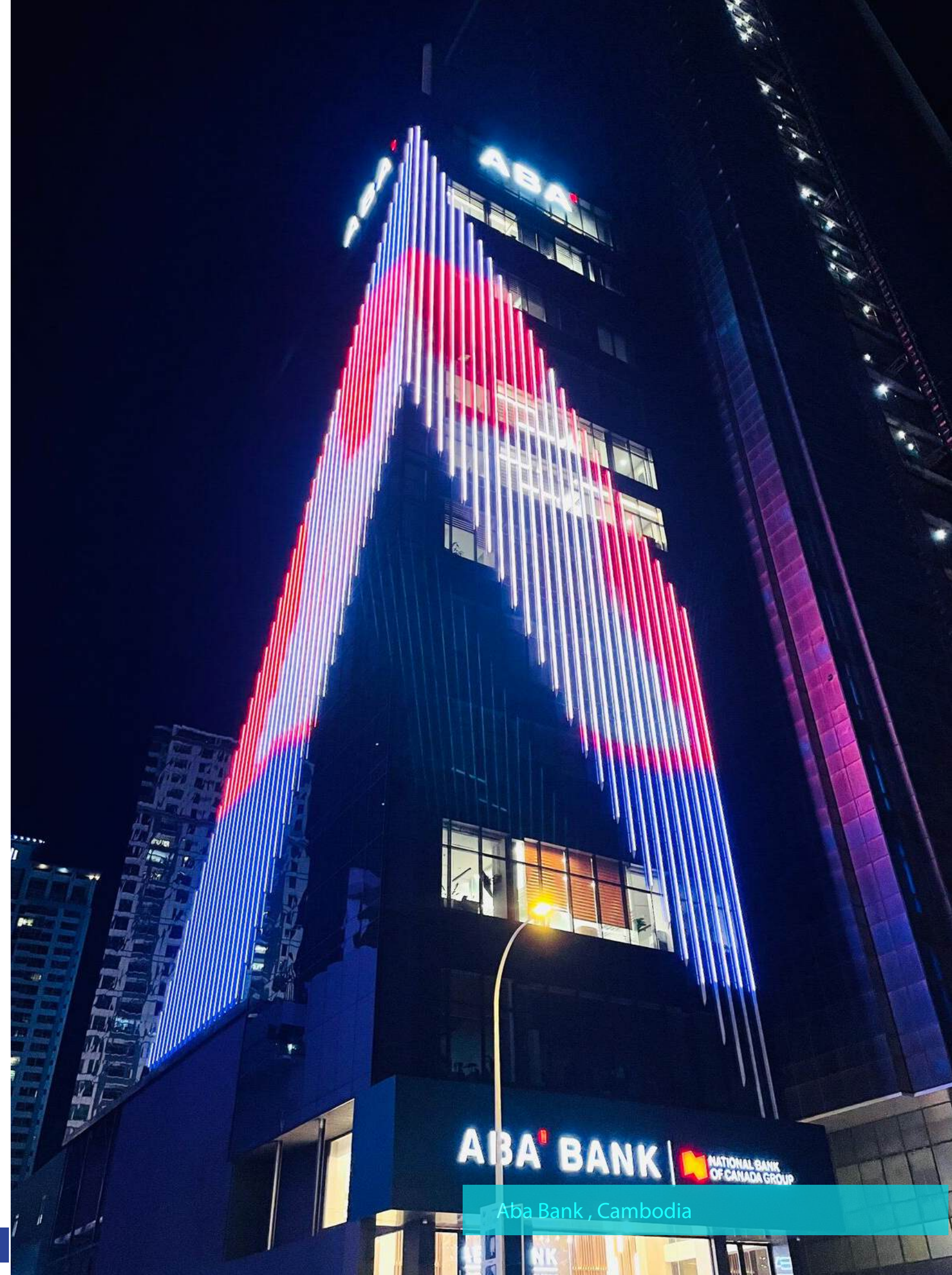
Lamp	LED
Cover	Frosted PC
Beam Angle	180°
Color Temp.	Mono Color, RGB, RGBW
LED Chip	Lumileds Philips
Color rendering i(Ra):	>82
Power factor (PF):	>0.9

ELECTRICAL

Power	13W
Controller	Switch Dali DMX
Input voltage	24V 48V
Lamp life	50,000 h
Ambient Temp.	-25°C ~ 50°C
Ambient Humidity	-25% ~ +60%
PCB	Excellent heat conductivity aluminum coefficient of heat conductivity $\geq 2.0w/mk$
PCB Voltage protection	Reverse voltage protection
PCB Current Stabilization	Integrated current stabilization system



Ref.	Wattage	Voltage	Color Temp	Pixel/M	Control
HD-L15060	12W	24V 48V	Mono Color	/	On/Off
HD-L15048R	10W	24V 48V	RGB	8	DMX / SPI
HD-L15048RW	13W	24V 48V	RGBW	8	DMX / SPI
HD-L15048W2R	13W	24V 48V	RGB	16	DMX / SPI
HD-L15048W3RW	15W	24V 48V	RGBW	16	DMX / SPI
HD-L15048W4R	13W	24V 48V	RGB	40	DMX / SPI
HD-L15048W5RW	15W	24V 48V	RGBW	40	DMX / SPI



Aba Bank, Cambodia

Linear RGB Series: HD-L01048YY



Product Features

- No Shadow Gap in joint.
- Various customization options including fixture length, color, and pixel configuration
- Direct or diffused views
- Slim profile
- Flexible mounting capability
- Outdoor-rated and UV-resistant
- Simple cabling
- Auto-addressable pixels



PHYSICAL

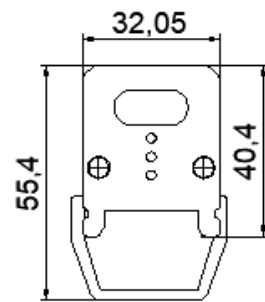
Body	Extruded Aluminium
Dimensions	W32*H55*L1000mm
Finish	Powdear Coating
IP Rating	IP66

OPTICAL

Lamp	LED
Cover	Clear / Frosted PC
Beam Angle	180°
Color Temp.	Mono Color, RGB, RGBW
LED Chip	Lumileds Philips
Color rendering i(Ra):	>82
Power factor (PF):	>0.9

ELECTRICAL

Power	13W
Controller	Switch Dali DMX
Input voltage	24V 48V
Lamp life	50,000 h
Ambient Temp.	-25°C ~ 50°C
Ambient Humidity	-25% ~ +60%
PCB	Excellent heat conductivity aluminum coefficient of heat conductivity ≥ 2.0w/mk
PCB Voltage protection	Reverse voltage protection
PCB Current Stabilization	Integrated current stabilization system



Ref.	Wattage	Voltage	Color Temp	Pixel/M	Control
HD-L01060	12W	24V 48V	Mono Color	/	On/Off
HD-L01048R	10W	24V 48V	RGB	8	DMX / SPI
HHD-L01048RW	13W	24V 48V	RGBW	8	DMX / SPI
HD-L01048W2R	13W	24V 48V	RGB	16	DMX / SPI
HD-L01048W3RW	15W	24V 48V	RGBW	16	DMX / SPI
HD-L01048W4R	13W	24V 48V	RGB	40	DMX / SPI
HD-L01048W5RW	15W	24V 48V	RGBW	40	DMX / SPI

Linear RGB Series: HD-L02048YY



Product Features

- No Shadow Gap in joint.
- Various customization options including fixture length, color, and pixel configuration
- Direct or diffused views
- Slim profile
- Flexible mounting capability
- Outdoor-rated and UV-resistant
- Simple cabling
- Auto-addressable pixels



PHYSICAL

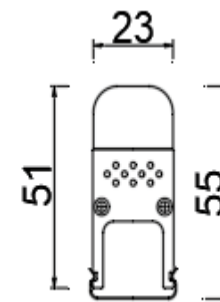
Body	Extruded Aluminium
Dimensions	W23*H51*L1000mm
Finish	Powdear Coating
IP Rating	IP66

OPTICAL

Lamp	LED
Cover	Frosted PC
Beam Angle	180°
Color Temp.	Mono Color, RGB, RGBW
LED Chip	Lumileds Philips
Color rendering i(Ra):	>82
Power factor (PF):	>0.9

ELECTRICAL

Power	13W
Controller	Switch Dali DMX
Input voltage	24V
Lamp life	50,000 h
Ambient Temp.	-25°C ~ 50°C
Ambient Humidity	-25% ~ +60%
PCB	Excellent heat conductivity aluminum coefficient of heat conductivity ≥ 2.0w/mk
PCB Voltage protection	Reverse voltage protection
PCB Current Stabilization	Integrated current stabilization system



Ref.	Wattage	Voltage	Color Temp	Pixel/M	Control
HD-L02060	12W	24V	Mono Color	/	On/Off
HD-L02048R	10W	24V	RGB	8	DMX / SPI
HD-L02048RW	13W	24V	RGBW	8	DMX / SPI
HD-L02048W2R	13W	24V	RGB	16	DMX / SPI
HD-L02048W3RW	15W	24V	RGBW	16	DMX / SPI
HD-L02048W4R	13W	24V	RGB	40	DMX / SPI
HD-L02048W5RW	15W	24V	RGBW	40	DMX / SPI