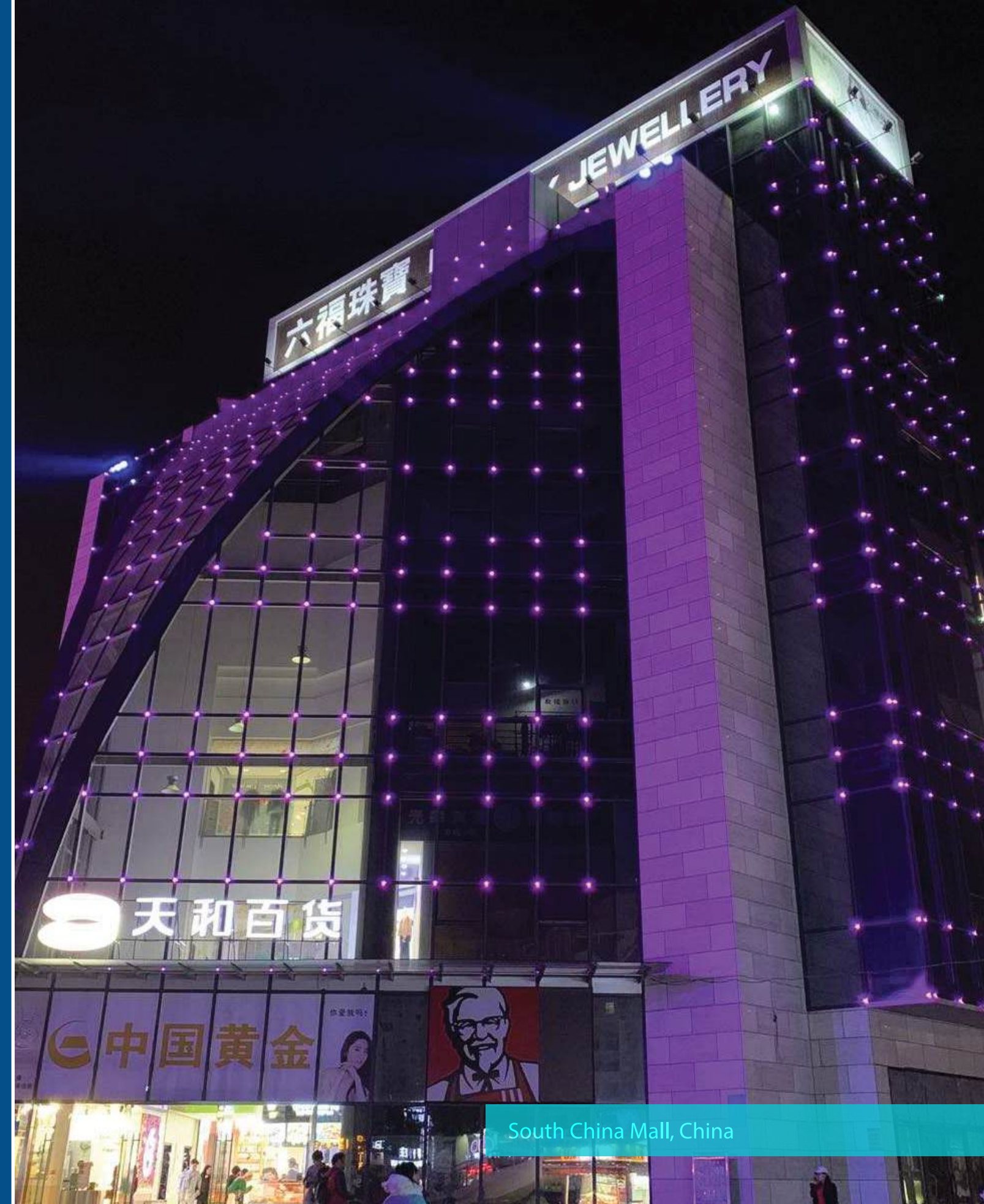
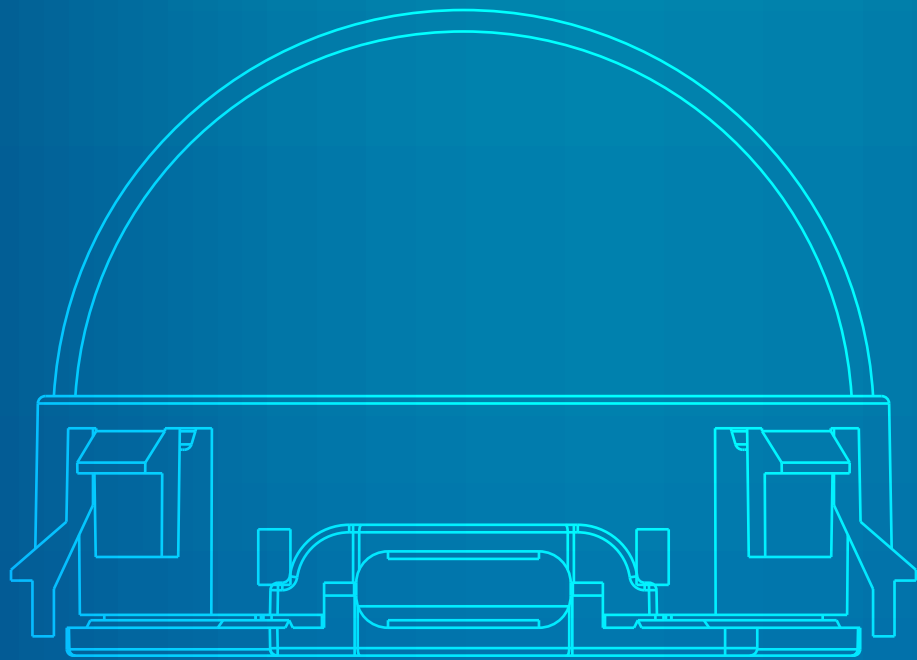


PIXEL DOT LIGHT



South China Mall, China

Pixel Dot Light :HD-D0330

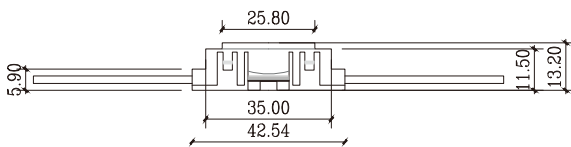
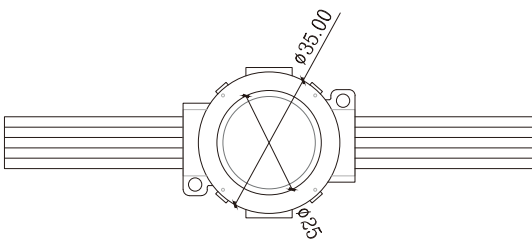


Product Features

Individual control: Each pixel dot light can be controlled individually, allowing for a wide range of creative and dynamic lighting effects.

Flexibility: Pixel dot lights can be used to create media facades of any size and shape, regardless of the building's architecture.

Durability: Pixel dot lights are made with high-quality materials and are designed to withstand the elements, making them ideal for outdoor use



PHYSICAL

Body	UV Resistant PC
Dimensions	35MM
Finish	Black & White
IP Rating	IP68
Flame retardant grade:	V0

OPTICAL

Lamp	LED
Cover	UV Resistant Clear PC
Beam Angle	120°
Color Temp.	Mono Color, RGB, RGBW
LED Chip	CREE OSRAM
Lumen Output	+85lm / W
Color rendering i(Ra):	>82
Power factor (PF):	>0.9

ELECTRICAL

Power	0.75W
Control	SPI / DMX512
Input voltage	24V
Lamp life	50,000 h
Ambient Temp.	-25°C ~ 50°C
Ambient Humidity	-25% ~ +60%
PCB	Excellent heat conductivity aluminum coefficient of heat conductivity $\geq 2.0w/mk$
PCB Voltage protection	Reverse voltage protection
PCB Current Stabilization	Integrated current stabilization system

Pixel Dot Light : HD-D0340

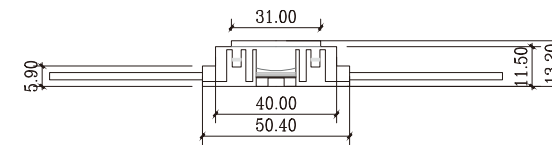
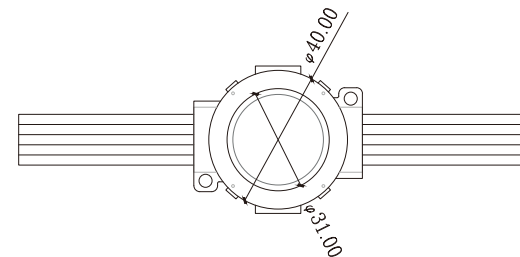


Product Features

Individual control: Each pixel dot light can be controlled individually, allowing for a wide range of creative and dynamic lighting effects.

Flexibility: Pixel dot lights can be used to create media facades of any size and shape, regardless of the building's architecture.

Durability: Pixel dot lights are made with high-quality materials and are designed to withstand the elements, making them ideal for outdoor use



PHYSICAL

Body	UV Resistant PC
Dimensions	40MM
Finish	Black & White
IP Rating	IP68
Flame retardant grade:	V0

OPTICAL

Lamp	LED
Cover	UV Resistant Clear PC
Beam Angle	120°
Color Temp.	Mono Color, RGB, RGBW
LED Chip	CREE OSRAM
Lumen Output	+85lm / W
Color rendering i(Ra):	>82
Power factor (PF):	>0.9

ELECTRICAL

Power	1.5W
Control	SPI / DMX512
Input voltage	24V
Lamp life	50,000 h
Ambient Temp.	-25°C ~ 50°C
Ambient Humidity	-25% ~ +60%
PCB	Excellent heat conductivity aluminum coefficient of heat conductivity $\geq 2.0w/mk$
PCB Voltage protection	Reverse voltage protection
PCB Current Stabilization	Integrated current stabilization system

Pixel Dot Light : HD-D0750

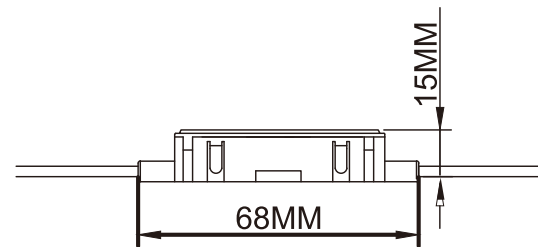
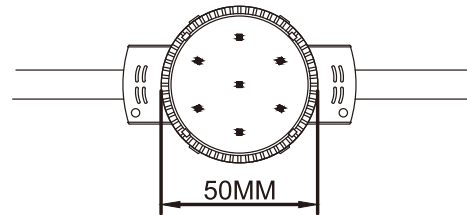


Product Features

Individual control: Each pixel dot light can be controlled individually, allowing for a wide range of creative and dynamic lighting effects.

Flexibility: Pixel dot lights can be used to create media facades of any size and shape, regardless of the building's architecture.

Durability: Pixel dot lights are made with high-quality materials and are designed to withstand the elements, making them ideal for outdoor use



PHYSICAL

Body	UV Resistant PC
Dimensions	50MM
Finish	Black & White
IP Rating	IP68
Flame retardant grade:	V0

OPTICAL

Lamp	LED
Cover	UV Resistant Clear PC
Beam Angle	120°
Color Temp.	Mono Color, RGB, RGBW
LED Chip	CREE OSRAM
Lumen Output	+85lm / W
Color rendering i(Ra):	>82
Power factor (PF):	>0.9

ELECTRICAL

Power	1.6W
Control	SPI / DMX512
Input voltage	24V
Lamp life	50,000 h
Ambient Temp.	-25° C ~ 50° C
Ambient Humidity	-25% ~ +60%
PCB	Excellent heat conductivity aluminum coefficient of heat conductivity $\geq 2.0\text{w/mk}$
PCB Voltage protection	Reverse voltage protection
PCB Current Stabilization	Integrated current stabilization system



Bentley, Abu Dhabi, UAE

Product Features

Individual control: Each pixel dot light can be controlled individually, allowing for a wide range of creative and dynamic lighting effects.

Flexibility: Pixel dot lights can be used to create media facades of any size and shape, regardless of the building's architecture.

Durability: Pixel dot lights are made with high-quality materials and are designed to withstand the elements, making them ideal for outdoor use



PHYSICAL

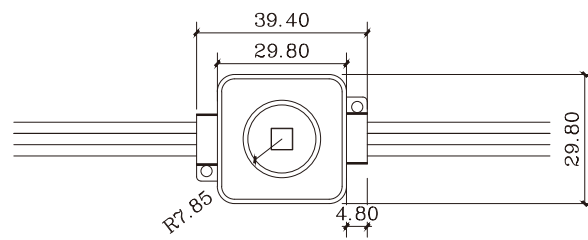
Body	UV Resistant PC
Dimensions	D30*15MM
Finish	Black & White
IP Rating	IP68
Flame retardant grade:	V0

OPTICAL

Lamp	LED
Cover	UV Resistant Clear PC
Beam Angle	120°
Color Temp.	Mono Color, RGB, RGBW
LED Chip	CREE OSRAM
Lumen Output	+85lm / W
Color rendering i(Ra):	>82
Power factor (PF):	>0.9

ELECTRICAL

Power	1.5W
Control	SPI / DMX512
Input voltage	5V 12V 24V
Lamp life	50,000 h
Ambient Temp.	-25°C ~ 50°C
Ambient Humidity	-25% ~ +60%
PCB	Excellent heat conductivity aluminum coefficient of heat conductivity ≥ 2.0w/mk
PCB Voltage protection	Reverse voltage protection
PCB Current Stabilization	Integrated current stabilization system



Product Features

Individual control: Each pixel dot light can be controlled individually, allowing for a wide range of creative and dynamic lighting effects.

Flexibility: Pixel dot lights can be used to create media facades of any size and shape, regardless of the building's architecture.

Durability: Pixel dot lights are made with high-quality materials and are designed to withstand the elements, making them ideal for outdoor use



PHYSICAL

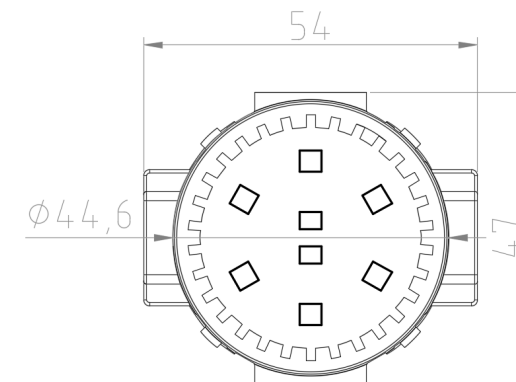
Body	UV Resistant PC
Dimensions	D54MM
Finish	Black & White
IP Rating	IP68
Flame retardant grade:	V0

OPTICAL

Lamp	LED
Cover	UV Resistant Clear PC
Beam Angle	120°
Color Temp.	Mono Color, RGB, RGBW
LED Chip	CREE OSRAM
Lumen Output	+85lm / W
Color rendering i(Ra):	>82
Power factor (PF):	>0.9

ELECTRICAL

Power	1.5W
Control	SPI / DMX512
Input voltage	48V
Lamp life	50,000 h
Ambient Temp.	-25°C ~ 50°C
Ambient Humidity	-25% ~ +60%
PCB	Excellent heat conductivity aluminum coefficient of heat conductivity ≥ 2.0w/mk
PCB Voltage protection	Reverse voltage protection
PCB Current Stabilization	Integrated current stabilization system



Pixel Dot Light : HD-D0840



Product Features

Individual control: Each pixel dot light can be controlled individually, allowing for a wide range of creative and dynamic lighting effects.

Flexibility: Pixel dot lights can be used to create media facades of any size and shape, regardless of the building's architecture.

Durability: Pixel dot lights are made with high-quality materials and are designed to withstand the elements, making them ideal for outdoor use



PHYSICAL

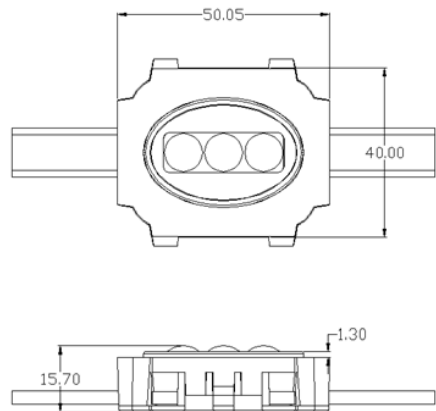
Body	UV Resistant PC
Dimensions	50*40mm
Finish	Black & White
IP Rating	IP68
Flame retardant grade	V0

OPTICAL

Lamp	LED
Cover	UV Resistant Clear PC
Beam Angle	120°
Color Temp.	Mono Color, RGB, RGBW
LED Chip	CREE OSRAM
Lumen Output	+85lm / W
Color rendering i(Ra):	>82
Power factor (PF):	>0.9

ELECTRICAL

Power	1.5W
Control	SPI / DMX512
Input voltage	12V
Lamp life	50,000 h
Ambient Temp.	-25° C ~ 50° C
Ambient Humidity	-25% ~ +60%
PCB	Excellent heat conductivity aluminum coefficient of heat conductivity ≥ 2.0w/mk
PCB Voltage protection	Reverse voltage protection
PCB Current Stabilization	Integrated current stabilization system



Pixel Dot Light : HD-D0450



Product Features

Individual control: Each pixel dot light can be controlled individually, allowing for a wide range of creative and dynamic lighting effects.

Flexibility: Pixel dot lights can be used to create media facades of any size and shape, regardless of the building's architecture.

Durability: Pixel dot lights are made with high-quality materials and are designed to withstand the elements, making them ideal for outdoor use



PHYSICAL

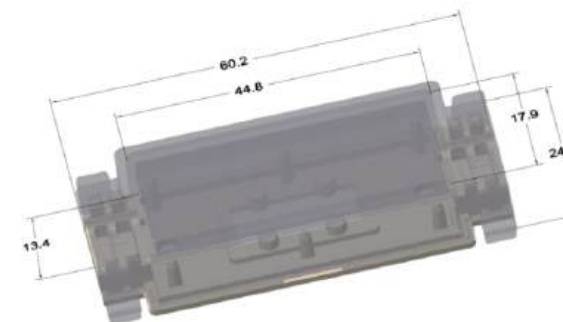
Body	UV Resistant PC
Dimensions	60*24MM
Finish	Black & White
IP Rating	IP68
Flame retardant grade:	V0

OPTICAL

Lamp	LED
Cover	UV Resistant Clear PC
Beam Angle	120°
Color Temp.	Mono Color, RGB, RGBW
LED Chip	CREE OSRAM
Lumen Output	+85lm / W
Color rendering i(Ra):	>82
Power factor (PF):	>0.9

ELECTRICAL

Power	1.8W
Control	SPI / DMX512
Input voltage	48V
Lamp life	50,000 h
Ambient Temp.	-25° C ~ 50° C
Ambient Humidity	-25% ~ +60%
PCB	Excellent heat conductivity aluminum coefficient of heat conductivity ≥ 2.0w/mk
PCB Voltage protection	Reverse voltage protection
PCB Current Stabilization	Integrated current stabilization system



Pixel Dot Light : HD-D09100



Product Features

Individual control: Each pixel dot light can be controlled individually, allowing for a wide range of creative and dynamic lighting effects.

Flexibility: Pixel dot lights can be used to create media facades of any size and shape, regardless of the building's architecture.

Durability: Pixel dot lights are made with high-quality materials and are designed to withstand the elements, making them ideal for outdoor use



PHYSICAL

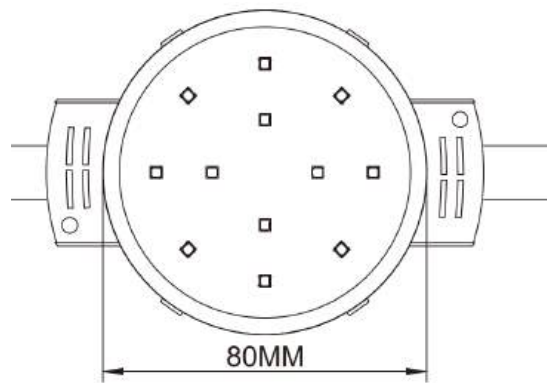
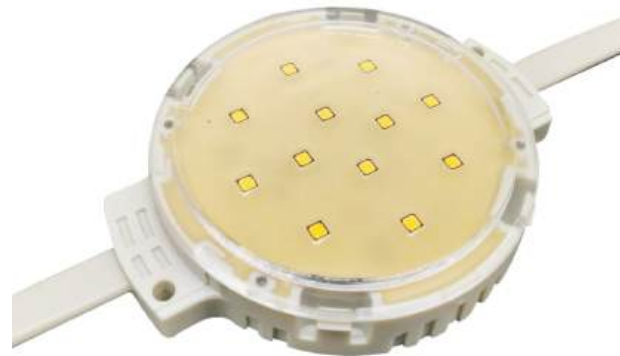
Body	UV Resistant PC
Dimensions	80MM
Finish	Black & White
IP Rating	IP68
Flame retardant grade	V0

OPTICAL

Lamp	LED
Cover	UV Resistant Clear PC
Beam Angle	120°
Color Temp.	Mono Color, RGB, RGBW
LED Chip	CREE OSRAM
Lumen Output	+85lm / W
Color rendering i(Ra):	>82
Power factor (PF):	>0.9

ELECTRICAL

Power	3.6W
Control	SPI / DMX512
Input voltage	24V 36V
Lamp life	50,000 h
Ambient Temp.	-25°C ~ 50°C
Ambient Humidity	-25% ~ +60%
PCB	Excellent heat conductivity aluminum coefficient of heat conductivity $\geq 2.0w/mk$
PCB Voltage protection	Reverse voltage protection
PCB Current Stabilization	Integrated current stabilization system



Pixel Dot Light : HD-D1290



Product Features

Individual control: Each pixel dot light can be controlled individually, allowing for a wide range of creative and dynamic lighting effects.

Flexibility: Pixel dot lights can be used to create media facades of any size and shape, regardless of the building's architecture.

Durability: Pixel dot lights are made with high-quality materials and are designed to withstand the elements, making them ideal for outdoor use



PHYSICAL

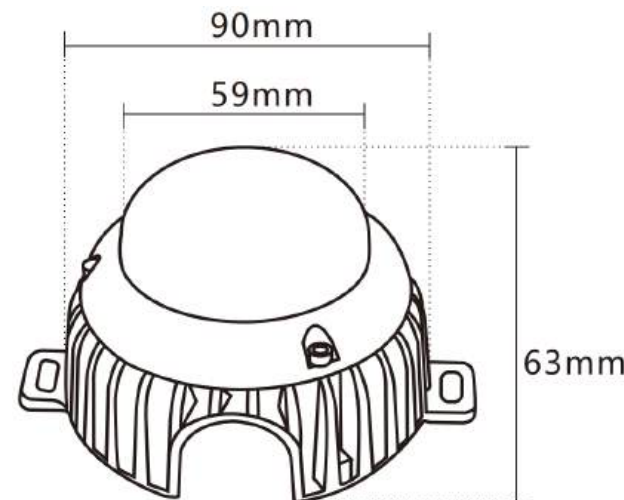
Body	UV Resistant PC
Dimensions	D90*62mm
Finish	Black & White
IP Rating	IP68
Flame retardant grade	V0

OPTICAL

Lamp	LED
Cover	UV Resistant Clear PC
Beam Angle	120°
Color Temp.	Mono Color, RGB, RGBW
LED Chip	CREE OSRAM
Lumen Output	+85lm / W
Color rendering i(Ra):	>82
Power factor (PF):	>0.9

ELECTRICAL

Power	6W
Control	SPI / DMX512
Input voltage	24V
Lamp life	50,000 h
Ambient Temp.	-25°C ~ 50°C
Ambient Humidity	-25% ~ +60%
PCB	Excellent heat conductivity aluminum coefficient of heat conductivity $\geq 2.0w/mk$
PCB Voltage protection	Reverse voltage protection
PCB Current Stabilization	Integrated current stabilization system



Pixel Dot Light : HD-D09113



Product Features

Individual control: Each pixel dot light can be controlled individually, allowing for a wide range of creative and dynamic lighting effects.

Flexibility: Pixel dot lights can be used to create media facades of any size and shape, regardless of the building's architecture.

Durability: Pixel dot lights are made with high-quality materials and are designed to withstand the elements, making them ideal for outdoor use



PHYSICAL

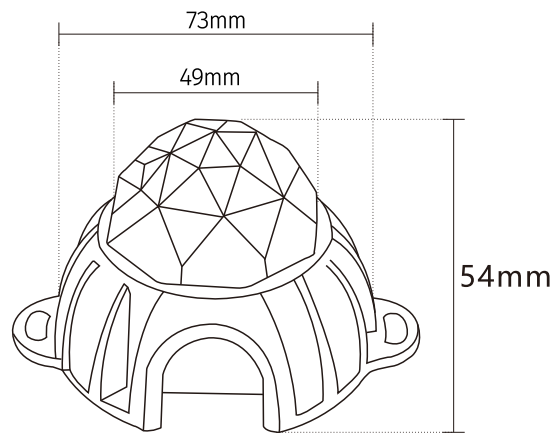
Body	Die Cast Aluminum
Dimensions	D73*54mm
Finish	Black & Grey
IP Rating	IP68
Flame retardant grade	V0

OPTICAL

Lamp	LED
Cover	UV Resistant Clear PC
Beam Angle	120°
Color Temp.	Mono Color, RGB, RGBW
LED Chip	CREE OSRAM
Lumen Output	+85lm / W
Color rendering i(Ra):	>82
Power factor (PF):	>0.9

ELECTRICAL

Power	6W
Control	SPI / DMX512
Input voltage	24V
Lamp life	50,000 h
Ambient Temp.	-25°C ~ 50°C
Ambient Humidity	-25% ~ +60%
PCB	Excellent heat conductivity aluminum coefficient of heat conductivity ≥ 2.0w/mk
PCB Voltage protection	Reverse voltage protection
PCB Current Stabilization	Integrated current stabilization system



Pixel Dot Light : HD-D10135



Product Features

Individual control: Each pixel dot light can be controlled individually, allowing for a wide range of creative and dynamic lighting effects.

Flexibility: Pixel dot lights can be used to create media facades of any size and shape, regardless of the building's architecture.

Durability: Pixel dot lights are made with high-quality materials and are designed to withstand the elements, making them ideal for outdoor use



PHYSICAL

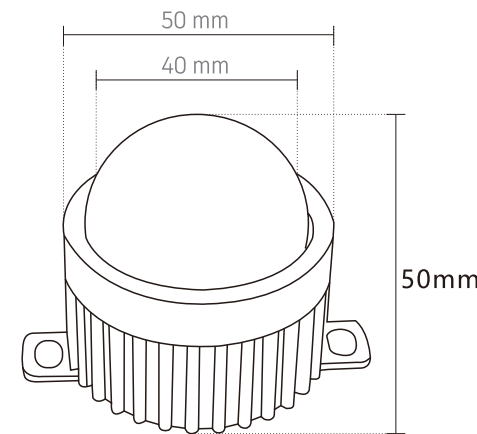
Body	Die Cast Aluminum
Dimensions	D50*50mm
Finish	Black & White
IP Rating	IP68
Flame retardant grade	V0

OPTICAL

Lamp	LED
Cover	UV Resistant PC
Beam Angle	120°
Color Temp.	Mono Color, RGB, RGBW
LED Chip	CREE OSRAM
Lumen Output	+85lm / W
Color rendering i(Ra):	>82
Power factor (PF):	>0.9

ELECTRICAL

Power	3W
Control	SPI / DMX512
Input voltage	24V
Lamp life	50,000 h
Ambient Temp.	-25°C ~ 50°C
Ambient Humidity	-25% ~ +60%
PCB	Excellent heat conductivity aluminum coefficient of heat conductivity ≥ 2.0w/mk
PCB Voltage protection	Reverse voltage protection
PCB Current Stabilization	Integrated current stabilization system



Pixel Dot Light : HD-D11100



Product Features

Individual control: Each pixel dot light can be controlled individually, allowing for a wide range of creative and dynamic lighting effects.

Flexibility: Pixel dot lights can be used to create media facades of any size and shape, regardless of the building's architecture.

Durability: Pixel dot lights are made with high-quality materials and are designed to withstand the elements, making them ideal for outdoor use



PHYSICAL

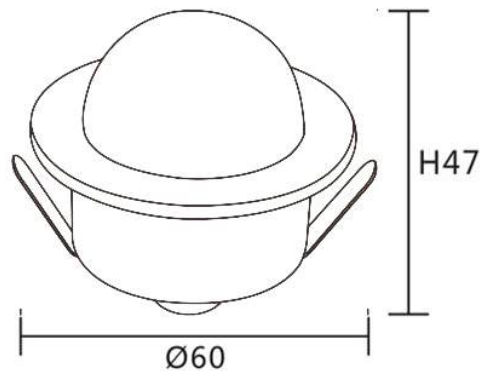
Body	Die Cast Aluminum
Dimensions	D60*47mm
Finish	Grey / Black
IP Rating	IP68
Flame retardant grade	V0

OPTICAL

Lamp	LED
Cover	UV Resistant Clear PC
Beam Angle	120°
Color Temp.	Mono Color, RGB, RGBW
LED Chip	CREE OSRAM
Lumen Output	+85lm / W
Color rendering i(Ra):	>82
Power factor (PF):	>0.9

ELECTRICAL

Power	3 W
Control	SPI / DMX512
Input voltage	24V
Lamp life	50,000 h
Ambient Temp.	-25° C ~ 50° C
Ambient Humidity	-25% ~ +60%
PCB	Excellent heat conductivity aluminum coefficient of heat conductivity $\geq 2.0w/mk$
PCB Voltage protection	Reverse voltage protection
PCB Current Stabilization	Integrated current stabilization system



Wall Light : HD-D13120



Product Features

Elevate your facade with the striking impact of architectural wall lights. Whether you opt for a 2-way, 3-way, or 4-way configuration, these versatile fixtures can dramatically transform a plain wall into a captivating focal point.

Hondel's premium 4-directional wall lights offer exceptional quality and design, making them the ideal choice for illuminating your facade.



PHYSICAL

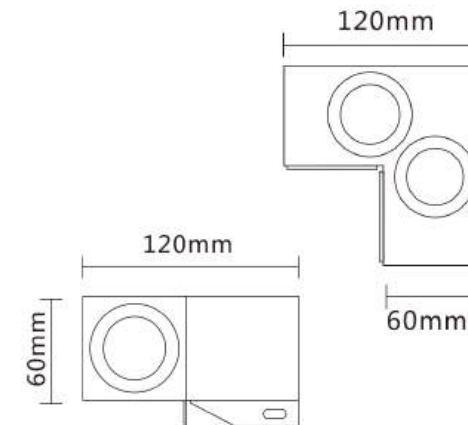
Body	Aluminum
Dimensions	120**120*60mm
Finish	Grey
IP Rating	IP67

OPTICAL

Lamp	LED
Cover	Glass
Beam Angle	3/5/8/15/30/45/60°
Color Temp.	Mono Color, RGB, RGBW
LED Chip	CREE OSRAM
Lumen Output	+85lm / W
Color rendering i(Ra):	>82
Power factor (PF):	>0.9

ELECTRICAL

Power	4x3W
Control	SPI / DMX512 Optional
Input voltage	24V/AC220V
Lamp life	50,000 h
Ambient Temp.	-25° C ~ 50° C
Ambient Humidity	-25% ~ +60%
PCB	Excellent heat conductivity aluminum coefficient of heat conductivity $\geq 2.0w/mk$
PCB Voltage protection	Reverse voltage protection
PCB Current Stabilization	Integrated current stabilization system



Product Features

Elevate your facade with the striking impact of architectural wall lights. Whether you opt for a 2-way, 3-way, or 4-way configuration, these versatile fixtures can dramatically transform a plain wall into a captivating focal point.

Hondel's premium 4-directional wall lights offer exceptional quality and design, making them the ideal choice for illuminating your facade.



PHYSICAL

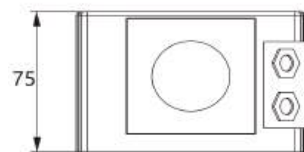
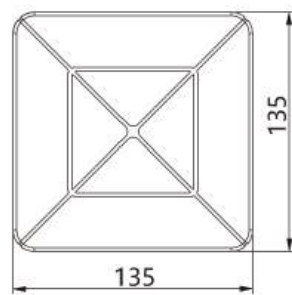
Body	Die Cast Aluminum
Dimensions	135*135*75mm
Finish	Grey
IP Rating	IP67
Flame retardant grade	V0

OPTICAL

Lamp	LED
Cover	Glass
Beam Angle	3/5/8/15/30/45/60°
Color Temp.	Mono Color, RGB, RGBW
LED Chip	CREE OSRAM
Lumen Output	+85lm / W
Color rendering i(Ra):	>82

ELECTRICAL

Power	4x6W
Control	SPI / DMX512 Optional
Input voltage	24V /AC220V
Lamp life	50,000 h
Ambient Temp.	-25° C ~ 50° C
Ambient Humidity	-25% ~ +60%
PCB	Excellent heat conductivity aluminum coefficient of heat conductivity ≥ 2.0w/mk
PCB Voltage protection	Reverse voltage protection
PCB Current Stabilization	Integrated current stabilization system



Product Features

Elevate your facade with the striking impact of architectural wall lights. Whether you opt for a 2-way, 3-way, or 4-way configuration, these versatile fixtures can dramatically transform a plain wall into a captivating focal point.

Hondel's premium 4-directional wall lights offer exceptional quality and design, making them the ideal choice for illuminating your facade.



PHYSICAL

Body	Die Cast Aluminum
Dimensions	D150*80MM
Finish	Grey
IP Rating	IP67

OPTICAL

Lamp	LED
Cover	Glass
Beam Angle	8/10/15/30/45/60°
Color Temp.	Mono Color, RGB, RGBW
LED Chip	CREE OSRAM
Lumen Output	+85lm / W
Color rendering i(Ra):	>82
Power factor (PF):	>0.9

ELECTRICAL

Power	4x6W
Control	SPI / DMX512 Optional
Input voltage	24V / AC220V
Lamp life	50,000 h
Ambient Temp.	-25° C ~ 50° C
Ambient Humidity	-25% ~ +60%
PCB	Excellent heat conductivity aluminum coefficient of heat conductivity ≥ 2.0w/mk
PCB Voltage protection	Reverse voltage protection
PCB Current Stabilization	Integrated current stabilization system

